

# HCH/SEC

65°C  
90°C  
135°C



**Fans designed with the most advanced technology and experience to withstand extreme working conditions in wood and ceramic driers**



**Fan:**

- Sheet steel bracket or stainless steel AISI304 depending on the version
- Impeller made from cast aluminium
- Airflow direction from motor to impeller

**Motor version 65°C. 100% RH:**

- Class F motors with ball bearings, especially designed for temperature, IP-55 protection
- Motors with forced ventilation
- Three-phase 230/400V50Hz. (up to 4kW) and 400/690V-50Hz. (power over 4kW)
- Fan working temperature: -10°C.+ 65°C. and 100%

**Closed motors, without ventilation**

- Three-phase 230/400V50Hz. (up to 4kW) and 400/690V-50Hz. (power over 4kW)
- Fan working temperature: -10°C.+ 135°C. and 100% relative humidity

**Finish:**

- Anticorrosive finish in polyester resin polymerised at 190°C, after degreasing with phosphate-free nanotechnology treatment.
- STAINLESS STEEL version with blast finish

**Motor version 90°C. 100% RH:**

- Class H motors with ball bearings, especially designed for high temperature, IP-55 protection
- Closed motors, without ventilation
- Three-phase 230/400V50Hz. (up to 3kW) and 400/690V-50Hz. (power over 3kW)
- Fan working temperature: -10°C.+ 90°C. and 100% relative humidity

**On request:**

- Any HCH Series model may be converted into HCH/SEC
- Airflow direction from impeller to motor
- 100% reversible impellers.
- Special windings for different voltages
- Support ring in AISI-316

**Motor version 135°C. 100% RH:**

- Class H motors with ball bearings, especially designed for very high temperatures, IP-55 protection
- Cast iron motor support shields
- Axle and screws in STAINLESS STEEL

**Order code**

**HCH/SEC — 63 — 4T — 1.5 — 65° — INOX**

Fans designed to withstand extreme working conditions in wood and ceramic driers

Impeller diameter in cm.

Number of motor poles  
4=1400 r/min. 50 Hz

T=Three-phase

Installed motor (HP)

Max. working temperature  
65°C  
90°C  
135°C

Made from in stainless version

**Technical characteristics**

Model	Speed (r/min)	Maximum admissible current (A)		Installed capacity (kW)	Maximum airflow (m³/h)	Sound pressure level dB(A)	Approx. weight (Kg)		
		230V	400V				65°	90°	135°
HCH/SEC-63-4T-1.5	1450	5.2	3	1.1	17000	74	33	39	29
HCH/SEC-63-4T-2	1450	6.41	3.7	1.5	18900	75	36	42	32
HCH/SEC-63-4T-3	1450	8.49	4.9	2.2	22100	76	44	50	36
HCH/SEC-63-4T-4	1450	11.78	6.8	3	25400	77	46	52	39
HCH/SEC-71-4T-1.5	1450	5.2	3	1.1	19750	78	37	45	32
HCH/SEC-71-4T-2	1450	6.41	3.7	1.5	21100	79	40	47	35
HCH/SEC-71-4T-3	1450	8.49	4.9	2.2	23950	81	49	56	40
HCH/SEC-71-4T-4	1450	11.78	6.8	3	29400	82	51	58	43
HCH/SEC-80-4T-3	1450	8.49	4.9	2.2	28000	82	60	73	50
HCH/SEC-80-4T-4	1450	11.78	6.8	3	32700	83	62	75	53
HCH/SEC-80-4T-5.5	1450	15.24	8.8	4	37200	84	67	80	56

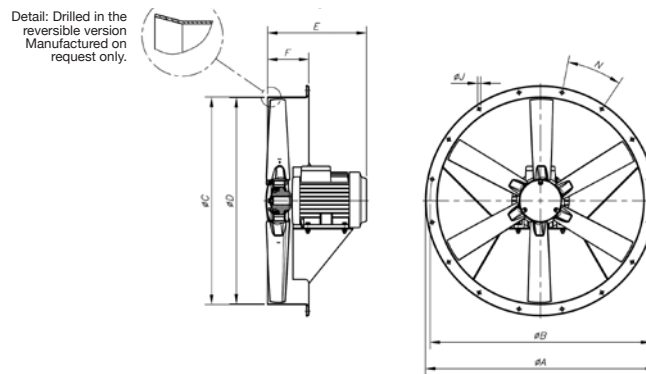
## Acoustic features

The specified values are determined according to free field measurements of pressure and sound levels in dB(A) at an equivalent distance of twice the fan's span plus the impeller's diameter, with a minimum of 1.5 m.

Sound power Lw(A) spectrum in dB(A) via frequency band in Hz.

Model	63	125	250	500	1000	2000	4000	8000	Model	63	125	250	500	1000	2000	4000	8000
HCH/SEC-63-4T-1.5	51	71	79	84	86	83	76	65	HCH/SEC-71-4T-3	58	78	86	91	93	90	83	72
HCH/SEC-63-4T-2	52	72	80	85	87	84	77	66	HCH/SEC-71-4T-4	59	79	87	92	94	91	84	73
HCH/SEC-63-4T-3	53	73	81	86	88	85	78	67	HCH/SEC-80-4T-3	59	79	87	92	94	91	84	73
HCH/SEC-63-4T-4	54	74	82	87	89	86	79	68	HCH/SEC-80-4T-4	60	80	88	93	95	92	85	74
HCH/SEC-71-4T-1.5	55	75	83	88	90	87	80	69	HCH/SEC-80-4T-5.5	61	81	89	94	96	93	86	75
HCH/SEC-71-4T-2	56	76	84	89	91	88	81	70									

## Dimensions in mm



Model	ØA	ØB	ØC	ØD	E					F	ØJ	N
					1.5	2	3	4	5.5			
HCH/SEC-63-4-65°	730	690	645	640	325	355	405	405	-	150	12	12 X 30°
HCH/SEC-63-4-90°	730	690	645	640	305	330	360	360	-	150	12	12 X 30°
HCH/SEC-63-4-135°	730	690	645	640	343	343	370	370	-	150	12	12 X 30°
HCH/SEC-71-4-65°	810	770	715	710	330	350	415	415	-	150	12	16 X 22°30'
HCH/SEC-71-4-90°	810	770	715	710	302	322	367	367	-	150	12	16 X 22°30'
HCH/SEC-71-4-135°	810	770	715	710	358	358	370	370	-	150	12	16 X 22°30'
HCH/SEC-80-4-65°	900	860	805	800	-	-	425	425	445	180	12	16 X 22°30'
HCH/SEC-80-4-90°	900	860	805	800	-	-	375	375	390	180	12	16 X 22°30'
HCH/SEC-80-4-135°	900	860	805	800	-	-	390	390	390	180	12	16 X 22°30'

## Characteristic Curves

See HCH series characteristic curves

## Accessories

See accessories section.

