

HIGH-EFFICIENCY CHILLERS WITH SCREW COMPRESSORS



Air conditioning

23XRV

Control



CCN - Carrier Comfort Network



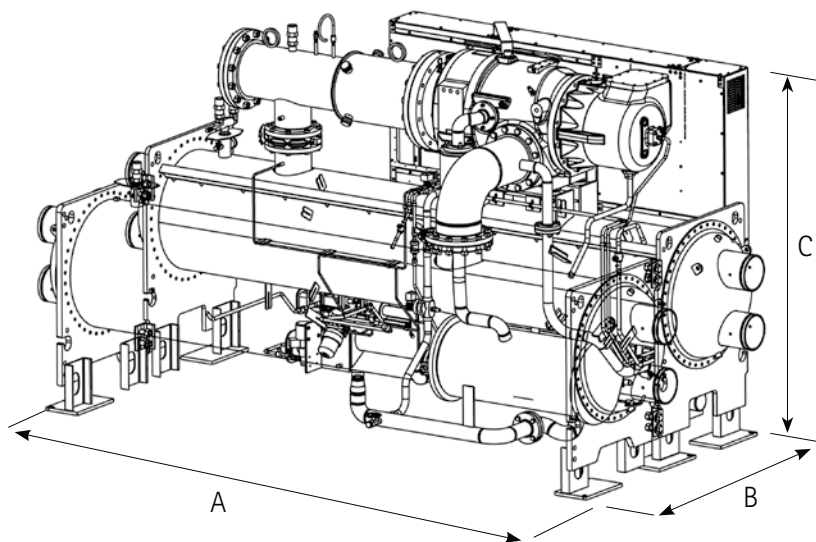
23XRV units are equipped with unique triple-rotor screw compressor technology

Features

- The 23XRV Evergreen range offers superior solutions with record capacities from 970 to 1880 kW, EERs up to 6.5 and ESEERs up to 10.0.
- Innovative triple-rotor screw compressor design that features a balanced rotor geometry and shorter screw lengths.
- Variable-frequency drive compressor to maximise machine energy efficiency. Achieves ultra-high efficiency levels whilst lowering the cost of ownership.
- Combination of the reliability of a screw compressor with the energy savings of a variable-frequency drive (VFD).
- Unparalleled operational envelope that permits the chiller to operate under real-world adverse conditions.
- Ideal for both new construction and replacement using environmentally sound refrigerant (R-134a) at superior efficiency and with powerful controls.
- Mix-match capability with wide range of heat exchangers for unit performance optimisation.

Dimensions

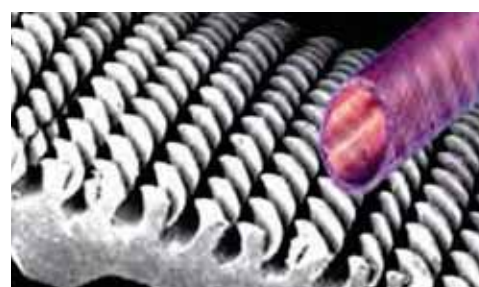
Heat exchanger size		Length A			Width B	Height C
		One pass	Two passes	Three passes		
30 to 32	mm	4350	4172	4350	1930	2200
35 to 37	mm	4870	4693	4870	1930	2200
40 to 42	mm	4496	4347	4420	2045	2299
45 to 47	mm	5017	4867	4940	2045	2299
50 to 52	mm	4521	4382	4432	2127	2305
55 to 57	mm	5042	4902	4953	2127	2305



Evaporator tubes



Condenser tubes



Micro-grooved heat exchanger tubes to ensure optimised heat exchange between the refrigerant and the heat exchange medium.

New generation screw compressor

Variable-frequency drive with active filtering Cooling ensured by refrigerant

